

## HTT

### Thermoplastic regenerative mag drive turbine pumps

## HTT

### Pompe a turbina rigenerativa a trascinamento magnetico in materiali termoplastici



#### FEATURES

- **Materials available:** PP / PVDF;
- **Plastic injection moulded;**
- **Materials in contact with the liquid:**  
Casing and impeller: PP/PVDF; O-ring: EPDM/VITON;  
Shaft: pure ceramic; Bushing PTFEC;
- **Max flow:** 8 m<sup>3</sup>/h; **Max head** 36 mlc;
- **Temperature:** PP: max 70°C – PVDF: max 90°C;
- **Max viscosity:** 200 cSt;
- **Pressure rating:** NP 6;
- **It handles up to 20% entrained gas.**  
HTT pump resists cavitation.

#### STANDARD

- **Gas threaded In and Out connections;**
- **Static shaft in high purity ceramic;**
- **Chemical resistant PTFE/carbon sleeve bearings;**
- **High torque magnetic coupling;**
- **Direct starting motor.**

#### OPTIONAL

- **ANSI 150 flanges available;**
- **Baseplate;**
- **Dry-running protection.**

#### CARATTERISTICHE

- **Materiali disponibili:** PP / PVDF
- **Pompa in materiali plastici stampati;**
- **Materiali a contatto con il liquido:**  
Corpo e girante: PP/PVDF; O-ring EPDM/VITON;  
Albero statico: ceramica pura; Boccola: PTFEC;
- **Portata fino a 8 m<sup>3</sup>/h; Prevalenza fino a 36 mcl;**
- **Temperatura massima di esercizio:**  
PP: 70°C – PVDF: 90°C;
- **Viscosità massima:** 200 cSt;
- **Pressione nominale massima:** PN 6;
- **Può pompare liquidi con presenza di gas fino al 20%.**  
Resiste alla cavitazione.

#### STANDARD

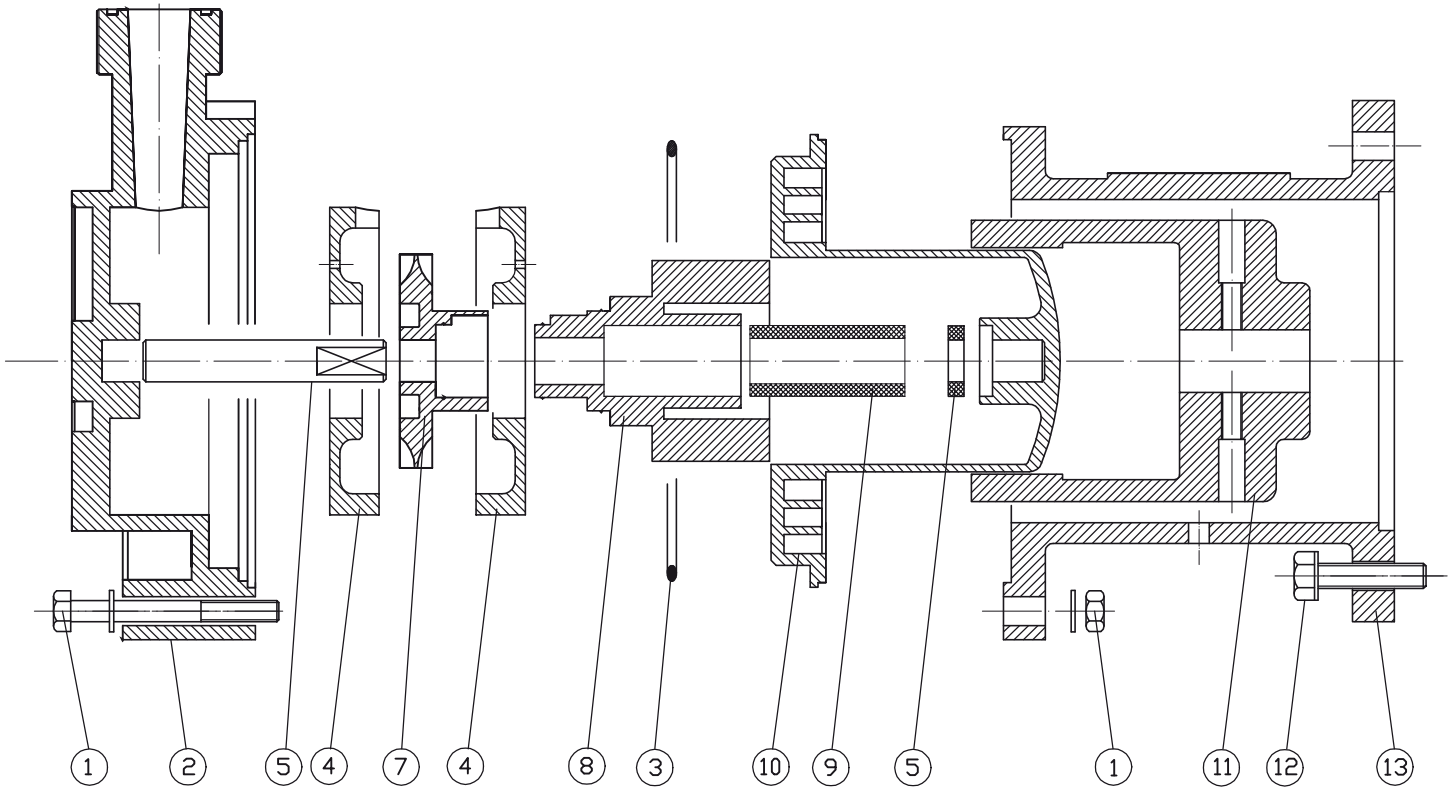
- **Attacchi aspirazione e mandata filettati gas;**
- **Albero statico in allumina pura;**
- **Boccole rotanti in PTFE grafite ad alta resistenza chimica;**
- **Elevata coppia magnetica;**
- **Avviamento diretto.**

#### OPTIONAL

- **Flange ANSI 150;**
- **Basamento;**
- **Dispositivo contro la marcia a secco.**

# HTT 2000 - 3000 - 5000 - 7000 - 9000 PP/PVDF

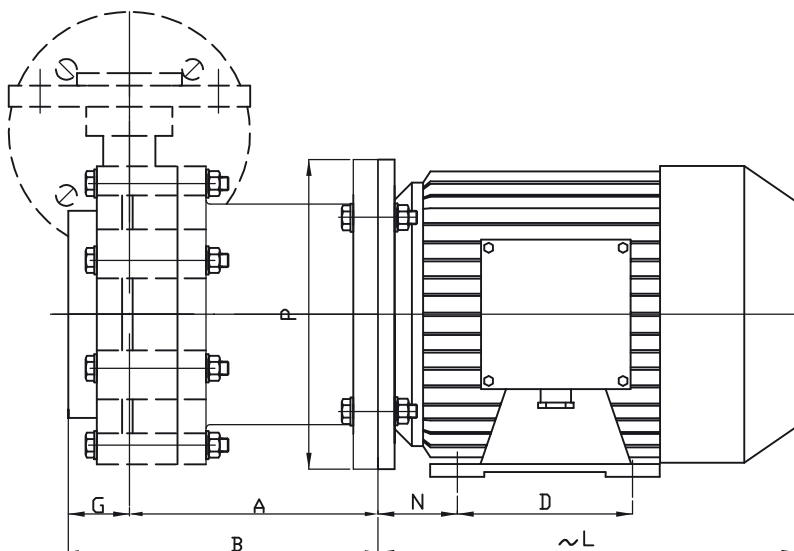
## SECTION AND PARTS LIST - SEZIONE E LISTA PARTI



POS.	1	2	3	4	5	7	8	9	10	11	12	13
PART. DESCR.	SET SCREWS	PUMP HEAD	O - RING	FRONT AND REAR DISC	SHAFT + RING	IMPELLER	INT. MAGNET	BEARING	REAR CASING	EXT. MAGNET	SCREWS	BRACKET
MATERIALS	AISI 304	PP PVDF	EPDM VITON	PP PVDF	Al <sub>2</sub> O <sub>3</sub>	PVDF	PP PVDF NdFeb	PTFEC	PP PVDF	C40 NdFeb	AISI 304	PP

# HTT 2000 - 3000 - 5000 - 7000 - 9000 PP/PVDF

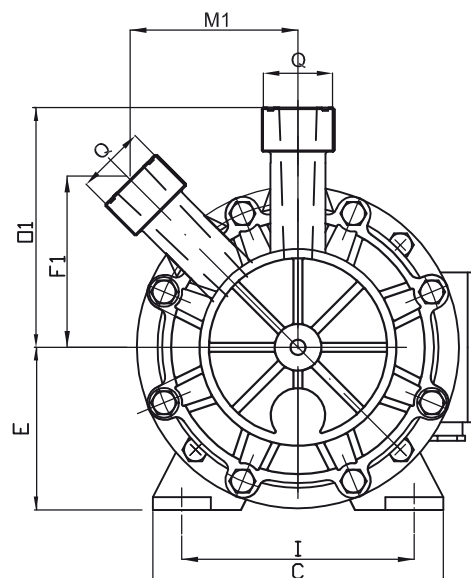
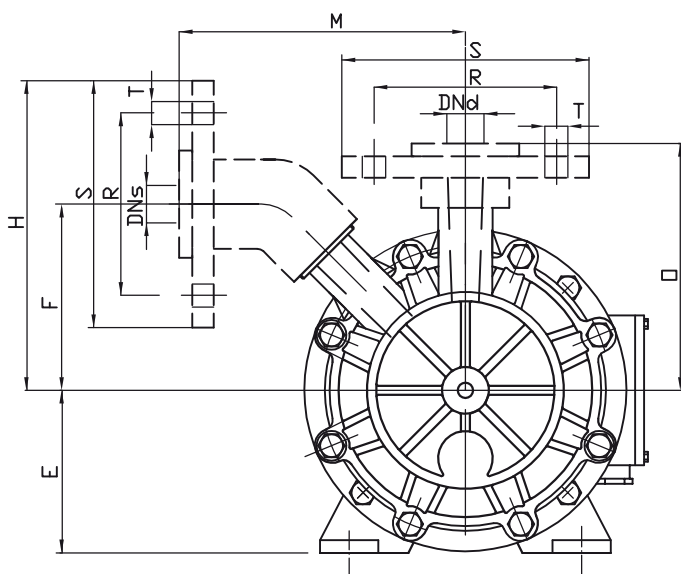
## DIMENSIONS - DIMENSIONI D'INGOMBRO



NOTE:  
DIRECTION OF ROTATION IS COUNTER CLOCKWISE  
AS SEEN WHEN FACING THE MOTOR.  
PUMPS AVAILABLE THREADED OR FLANGED.

PUMP TYPE	FLANGES DIMENSIONS - mm -				
	R	S	T	DN <sub>s</sub>	DN <sub>d</sub>
HTT 2000	85	115	14	25	25
HTT 3000	85	115	14	25	25
HTT 5000	110	153	18	40	40
HTT 7000	110	153	18	40	40
HTT 9000	110	153	18	40	40

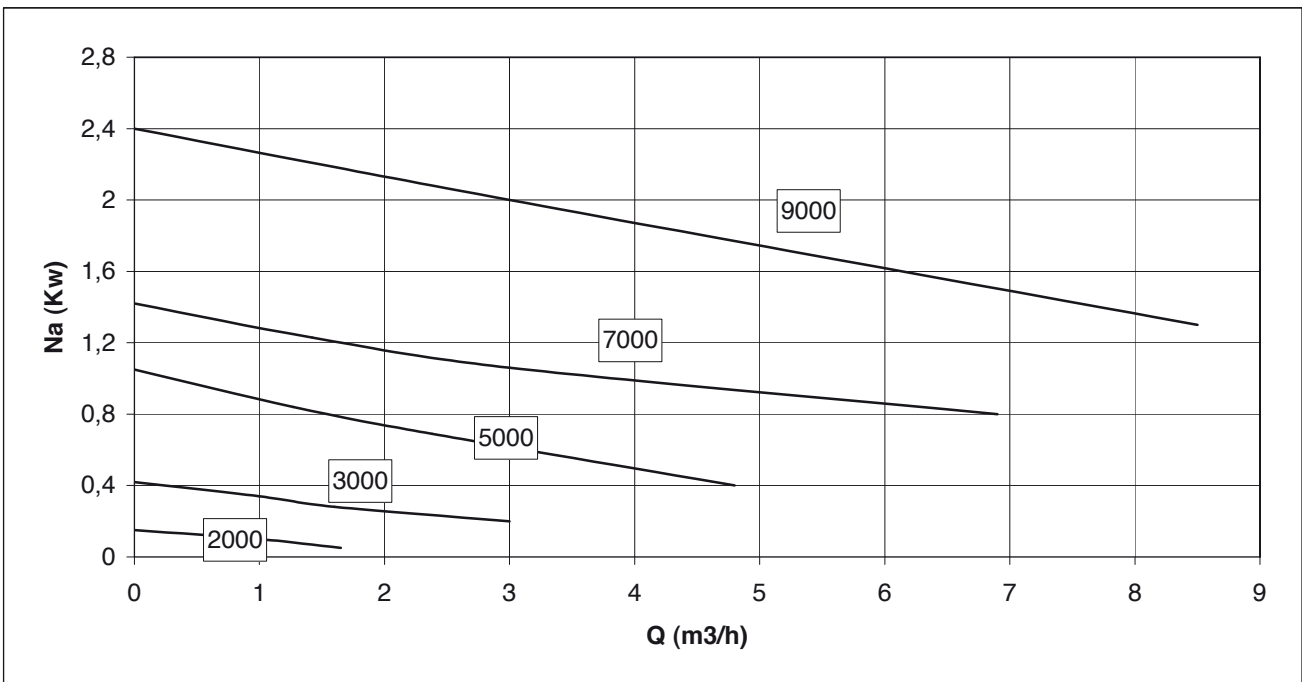
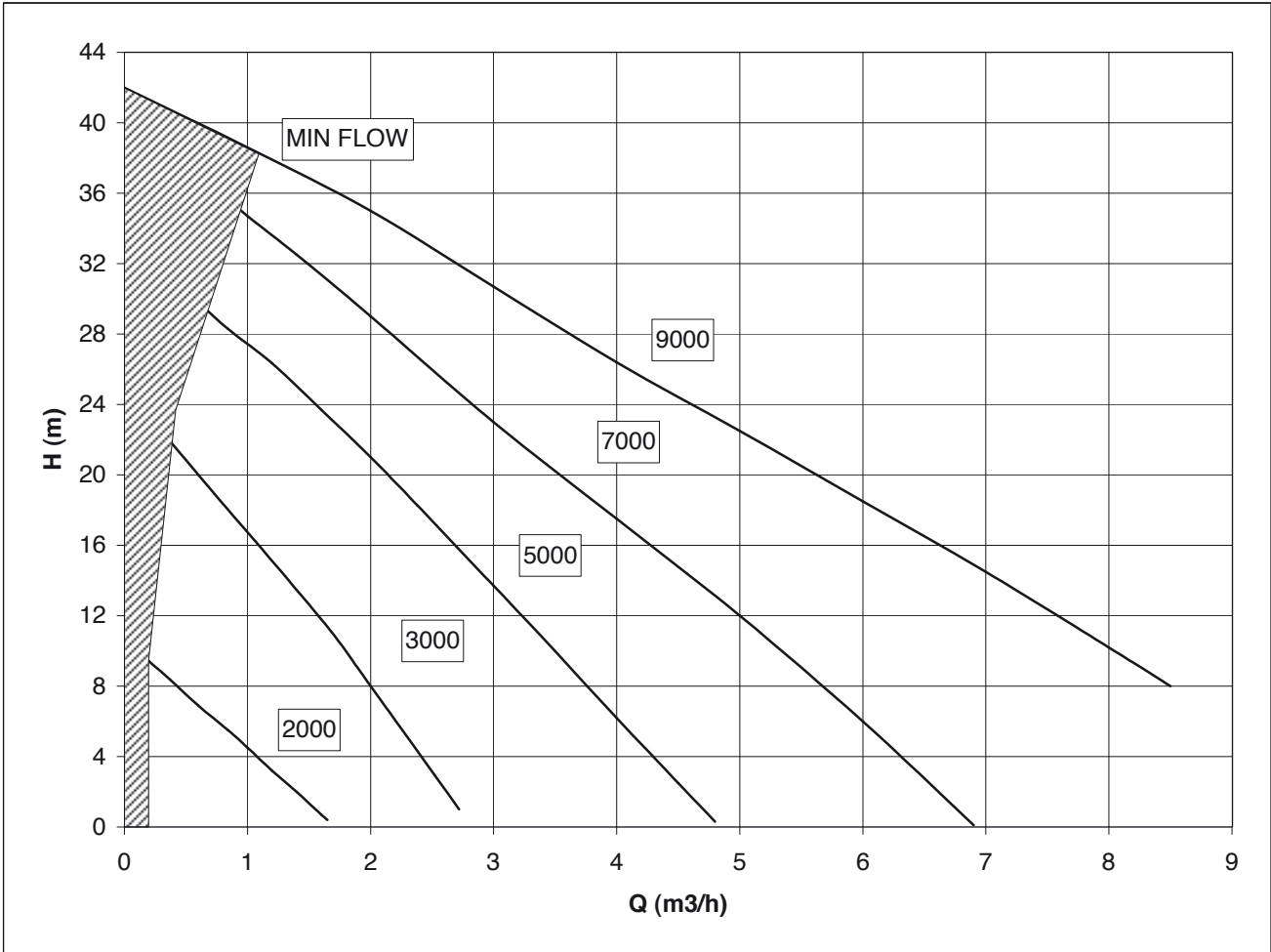
FLANGES  
DIN PN 10



PUMP TYPE	MOTOR FLANGE B3 - B5	POT. Kw	DIMENSIONS - mm -																	
			A	B	C	D	E	F	F1	G	H	I	~ L	M	M1	N	O	O1	P	Q
HTT 2000	G 71 A	0.37	118	146	142	90	71	86	78	28	145	112	192	135	78	45	116	110	160	1" MALE
HTT 3000	G 71 A	0.37	118	146	142	90	71	86	78	28	145	112	192	135	78	45	116	110	160	1" MALE
	G 71 B	0.55											215							
HTT 5000	G 80 A	0.75	187	221	160	100	80	110	95	34	187	125	215	189	95.5	50	148	135	200	1" MALE
	G 80 B	1.1											232							
HTT 7000	G 80 B	1.1	187	221	160	100	80	110	95	34	187	140	125	189	95.5	50	148	135	200	1 1/2" G MALE
	G 90 S	1.5			170		90						255			56				
	G 90 L	2.2			125		90						280							
HTT 9000	G 90 L	2.2	187	221	170	125	90	110	95	34	187	140	280	189	95.5	56	148	135	200	1 1/2" G MALE
	G 100	3											207						241	

# HTT PP/PVDF

## 50 HZ - 2900 RPM CURVES - CURVE 50 HZ - 2900 RPM



## OUR COMPANY - LA NOSTRA SOCIETÀ



***GemmeCotti has been producing pumps for acids and dangerous liquids, mixers, filters and compressors since 1992, when its founders, Enrico Gemme and Marino Cotti, started their own company after a considerable experience on pump design and production.***

***For 20 years GemmeCotti has been manufacturing innovative and high quality pumps suitable for pumping aggressive and dangerous liquids. The wide range of products includes mag-drive centrifugal pumps, turbine pumps, vane pumps, vertical pumps, mechanical seal pumps and vacuum pumps.***

***In 2007 GemmeCotti obtained the ISO 9001:2000 certification, clear proof of the ability to improve itself and of the desire to offer a high quality level of both the products and of the service.***

**GemmeCotti è presente nel mercato delle pompe per acidi e liquidi pericolosi fin dal 1992 quando i suoi fondatori dopo aver maturato una lunga esperienza nel settore delle pompe per applicazioni industriali hanno deciso di creare una propria azienda.**

**Da 20 anni GemmeCotti produce pompe innovative di altissima qualità adatte al pompaggio di liquidi aggressivi e pericolosi. La vasta gamma di prodotti comprende pompe centrifughe a trascinamento magnetico, pompe a turbina, pompe a palette, pompe verticali, pompe a tenuta meccanica e pompe del vuoto.**

**Nel 2007 l'azienda ha ottenuto la certificazione ISO 9001:2000, chiara testimonianza della capacità di miglioramento continuo e della volontà di offrire un ottimo livello qualitativo sia del prodotto che del servizio.**

## RANGE OF PRODUCTION - PANORAMA PRODUTTIVO

### HTM PP/ PVDF



#### MAG-DRIVE CENTRIFUGAL PUMPS

- Q max: 50 m<sup>3</sup>/h - H max: 32 mlc
- Materials: PP / PVDF

### HTM SS



#### MAG-DRIVE CENTRIFUGAL PUMPS

- Q max: 30 m<sup>3</sup>/h - H max: 24 mlc
- Materials: AISI 316

### HTT



#### REGENERATIVE MAG-DRIVE TURBINE PUMPS

- Q max: 8 m<sup>3</sup>/h - H max: 34 mlc
- Materials: PP / PVDF

### HTA



#### REGENERATIVE MAG-DRIVE TURBINE PUMPS

- Q max: 7 m<sup>3</sup>/h - H max: 85 mlc
- Materials: AISI 316 L / HASTELLOY-C / TITANIUM

### HPP - HPF



#### MAG-DRIVE VANE PUMPS SELF-PRIMING

- Q max: 400 l/h - H max: 5 bar
- Materials: PP / PVDF

### HTP



#### ROTARY VANE MAG-DRIVE PUMPS DRY SELF-PRIMING

- Q max: 2000 l/h - H max: 12 bar
- Materials: AISI 316 L / HASTELLOY-C / TITANIUM

### HCO



#### MECHANICAL SEALED CENTRIFUGAL PUMPS

- Q max: 60 m<sup>3</sup>/h - H max: 38 mlc
- Materials: PP / PVDF

### VPM / VPS / VPL



#### LIQUID RING VACUUM PUMPS

- Q max: 450 m<sup>3</sup>/h - H max: 33 mbar
- Materials: AISI 316/316 L SS / ALLOY 20  
HASTELLOY-C / TITANIUM

### PVA



#### VERTICAL CENTRIFUGAL PUMPS

- Q max: 30 m<sup>3</sup>/h - H max: 34 mlc
- Materials: AISI 316 / TITANIUM

### HVL



#### VERTICAL CENTRIFUGAL PUMPS OPEN IMPELLER

- Q max: 55 m<sup>3</sup>/h - H max: 36 mlc
- Materials: PP / PVDF

### HTF



#### DRUM PUMPS

- Q max: 130 l/min - H max: 22 mlc
- Materials: AISI 316 / PP / PVDF

### W 01



#### WATTMETRIC RELAY

#### DRY-RUNNING PROTECTION