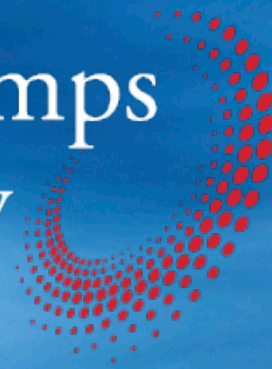
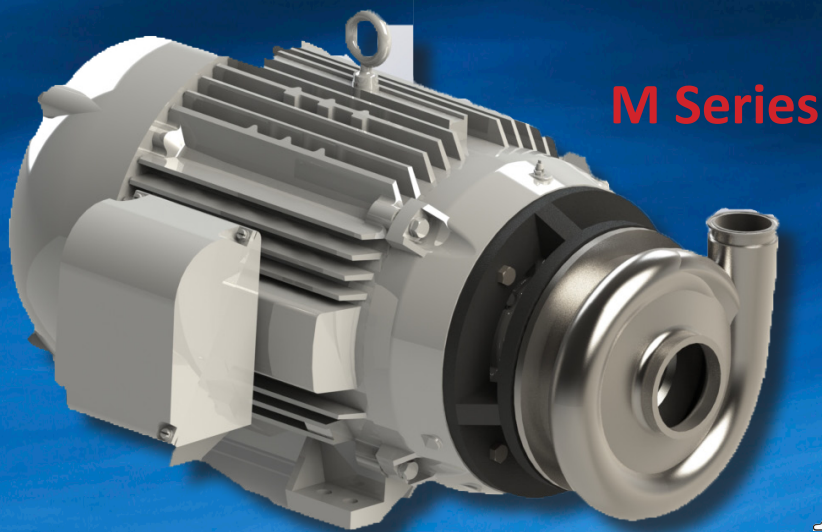


Ampco Pumps Company



D SERIES M SERIES

SANITARY CENTRIFUGAL PUMPS
FOR CIP/COP AND PRODUCT HANDLING APPLICATIONS



M Series



Versatile Applications Including Beverages and Hot Oil
High Efficiency Design



D Series

Cleaning/Sanitizing Solution Pumps
Double Volute Design Available To Reduce Air Binding

D SERIES PUMPS

for CIP and COP Systems

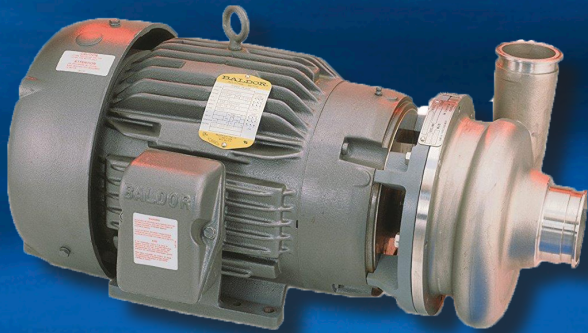
Efficient performance, quiet operation and low maintenance

D Series Features

- Double volute design is available to reduce air binding
- Optional mechanical seal material
- Enclosed impeller design
- Surface finish better than ACI SIS #1
- Allowable working pressure to 125 psi
- Temperatures to 400° F
- Close coupled to NEMA standard JM motors
- One Week Delivery



The DV Series, with a unique double volute design, is ideally suited for CIP return applications. The double volute design reduces air binding without an air relief valve at half the cost of a self-priming pump.



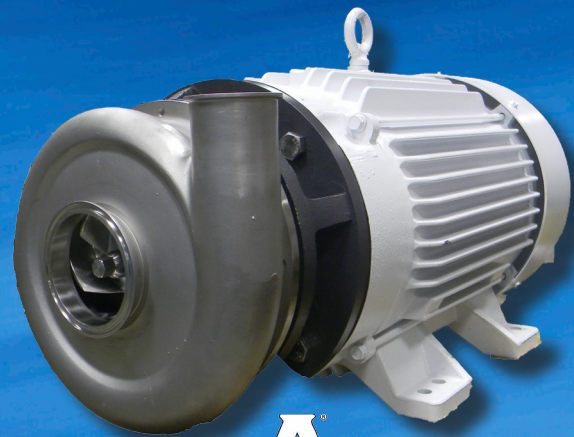
M SERIES PUMPS

for Heavy-duty Sanitary Applications

High efficiency performance and superior hydraulic design

M Series Features

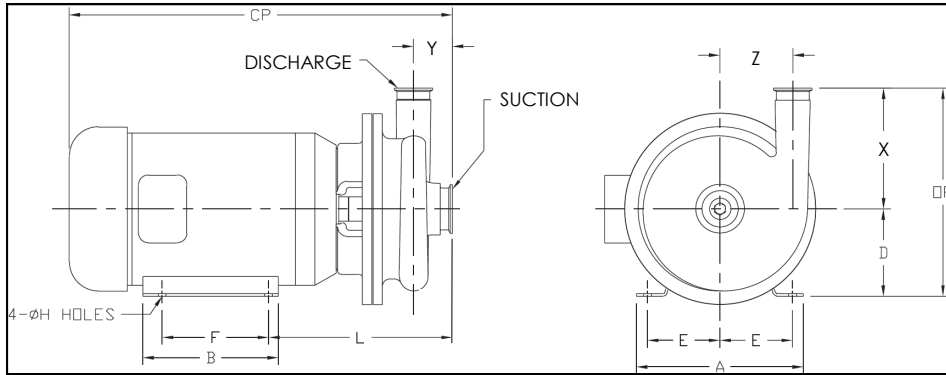
- 3A certified
- Seal Options
 - Standard T-8B2 external seal
 - Single or double internal seal
 - Various seal materials
- Efficient, Francis style semi-open impeller design
- Standard 32 RA (150 grit) surface finish with optional surface finishes from unpolished to 12 RA (320 grit)
- Minimum NPSH requirements
- Temperatures to 400° F
- Close coupled to NEMA Standard JM motors
- One Week Delivery



M Series pumps, modified with Type 1 seals, aflas elastomers and ceramic coated sleeves, are ideally suited for hot oil applications.



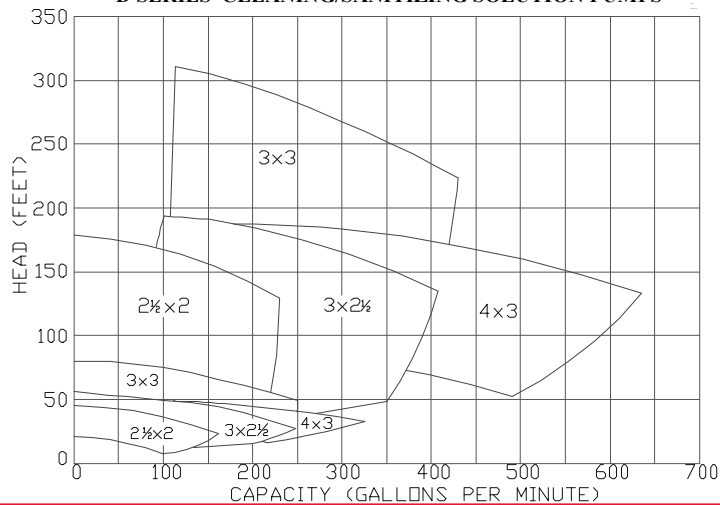
AMPCO D Series



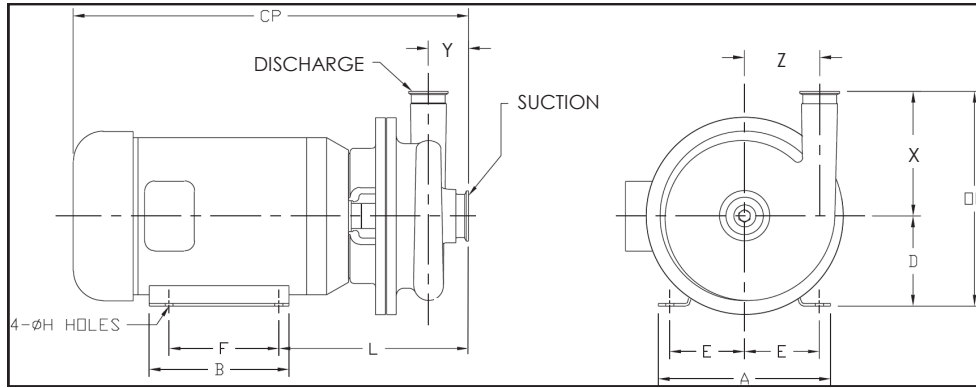
PUMP	MOTOR			DIMENSIONS IN INCHES (not certified for construction)											
	HP	RPM	FRAME	A (max)	B (max)	D	E	F	H	L	CP	OP	X	Y	Z
2½x2	1½ & 2	1750	145JM	6-1/2	6	3-1/2	2-3/4	5	11/32	10-3/4	19	9-3/4	6-1/4	3-11/16	4
	5	3500	184JM	8-5/8	6-1/2	4-1/2	3-3/4	5-1/2	13/32	11-3/8	21-3/4	10-3/4			
	7½	3500	213JM	9-5/8	8-1/8	5-1/4	4-1/4	5-1/2	13/32	12-3/8	24-5/8	11-1/2			
	10	3500	215JM	9-5/8	8-1/8	5-1/4	4-1/4	7	13/32	12-3/8	24-5/8	11-1/2			
	15 ²	3500	215JM	9-1/2	8	5-1/4	4-1/4	7	13/32	12-3/8	24-1/2	11-1/2			
3x2½	2	1750	145JM	6-1/2	6	3-1/2	2-3/4	5	11/32	11-1/8	19-1/2	9-3/4	6-1/4	3-13/16	4-1/4
	3	1750	182JM	8-5/8	6-1/2	4-1/2	3-3/4	4-1/2	13/32	11-3/4	20-7/8	10-3/4			
	5	3500	184JM	8-5/8	6-1/2	4-1/2	3-3/4	5-1/2	13/32	11-3/4	22-1/4	10-3/4			
	10	3500	215JM	9-5/8	8-1/8	5-1/4	4-1/4	7	13/32	12-5/8	25-1/8	11-1/2			
	15	3500	254JM	11-1/2	9-3/4	6-1/4	5	8-1/4	17/32	14-1/4	27-1/8	12-1/2			
	20	3500	256JM	11-1/2	11-1/2	6-1/4	5	10	17/32	14-1/4	28-7/8	12-1/2			
3x3	2	1750	145JM	6-1/2	6	3-1/2	2-3/4	5	11/32	11-1/4	19/35	10-19/32	7-3/32	4-29/32	5-1/4
	3	1750	182JM	8-5/8	6-1/2	4-1/2	3-3/4	4-1/2	13/32	11-7/8	21-3/5	11-19/32			
	5	1750	184JM	8-5/8	6-1/2	4-1/2	3-3/4	5-1/2	13/32	11-7/8	22-1/2	11-19/32			
	20	3500	256JM	11-1/2	11-1/2	6-1/4	5	10	17/32	14-1/2	29	13-11/32			
	25	3500	284JM	12-3/4	12-3/4	7	5-1/2	9-1/2	17/32	14-1/2	32-6/7	14-3/32			
	30	3500	286JM	12-3/4	12-3/4	7	5-1/2	11	17/32	14-1/2	32-6/7	14-3/32			
	40	3500	324JM	14-1/2	14	8	6-1/4	10-1/2	21/32	15	34-3/4	15-3/32			
4x3	3	1750	182JM	8-5/8	6-1/2	4-1/2	3-3/4	4-1/2	13/32	11-7/8	20-7/8	10-3/4	6-1/4	4-1/4	4-1/4
	5	1750	184JM	8-5/8	6-1/2	4-1/2	3-3/4	5-1/2	13/32	11-7/8	22-3/8	10-3/4			
	15	3500	254JM	11-1/2	9-3/4	6-1/4	5	8-1/4	17/32	14-3/8	27-1/8	12-1/2			
	20	3500	256JM	11-1/2	11-1/2	6-1/4	5	10	17/32	14-3/8	28-7/8	12-1/2			
	25	3500	284JM	12-3/4	12-3/4	7	5-1/2	9-1/2	17/32	14-3/8	32-3/4	13-1/4			
	30	3500	286JM	12-3/4	12-3/4	7	5-1/2	11	17/32	14-3/8	32-3/4	13-1/4			

² Rolled steel motor used

D SERIES—CLEANING/SANITIZING SOLUTION PUMPS



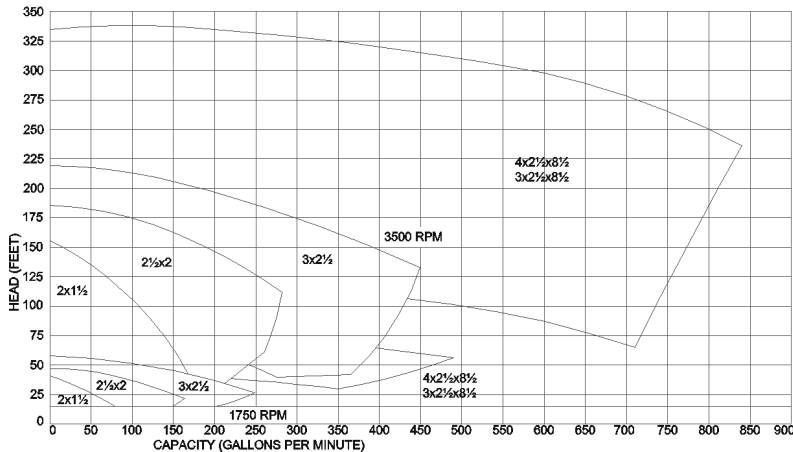
AMPCO M Series



PUMP	MOTOR			DIMENSIONS IN INCHES (not certified for construction)											
	HP	RPM	FRAME	A (max)	B (max)	D	E	F	H	L	CP ¹	OP	X	Y ¹	Z
2x1½	1	1750	143JM	6-1/2	6	3-1/2	2-3/4	4	11/32	8-7/8	17-1/4	9-3/4	6-1/4	2	3-3/4
	5	3500	184JM	8-5/8	6-1/2	4-1/2	3-3/4	5-1/2	13/32	9-1/2	20-1/8	10-3/4			
	7½	3500	184JM	8-5/8	6-1/2	4-1/2	3-3/4	5-1/2	13/32	9-1/2	21-5/8	10-3/4			
	10	3500	215JM	9-1/2	8	5-1/4	4-1/4	7	13/32	10-1/2	21-5/8	11-1/2			
2½x2	1½ & 2	1750	145JM	6-1/2	6	3-1/2	2-3/4	5	11/32	8-7/8	17-1/4	9-3/4	6-1/4	2	4
	7½	3500	184JM	8-5/8	6-1/2	4-1/2	3-3/4	5-1/2	13/32	9-1/2	21-5/8	10-3/4			
	10	3500	215JM	9-1/2	8	5-1/4	4-1/4	7	13/32	10-1/2	21-5/8	11-1/2			
	15	3500	215JM	9-1/2	8	5-1/4	4-1/4	7	13/32	10-1/2	22-3/4	11-1/2			
3x2½x7	1½ & 2	1750	145JM	6-1/2	6	3-1/2	2-3/4	5	11/32	9-1/4	17-1/2	9-3/4	6-1/4	2	4-1/4
	3	1750	182JM	8-5/8	6-1/2	4-1/2	3-3/4	4-1/2	13/32	9-7/8	18-7/8	10-3/4			
	10	3500	215JM	9-1/2	8	5-1/4	4-1/4	7	13/32	10-7/8	21-7/8	11-1/2			
	15	3500	215JM	9-1/2	8	5-1/4	4-1/4	7	13/32	10-7/8	23-1/8	11-1/2			
	20	3500	256JM	11-1/2	11-1/2	6-1/4	5	10	17/32	12-3/8	27	12-1/2			
3x2½x8½ & 4x2½x8½ ¹	5	1750	184JM	8-5/8	6-1/2	4-1/2	3-3/4	5-1/2	13/32	10-5/8	21-1/4	10-1/8	5-5/8	2-17/32	5-1/16
	7½	1750	213JM	9-1/2	8	5-1/4	4-1/4	5-1/2	13/32	11-5/8	22-3/4	10-7/8			
	10	1750	215JM	9-1/2	8	5-1/4	4-1/4	7	13/32	11-5/8	23-7/8	10-7/8			
	25	3500	284JM	12-3/4	12-3/4	7	5-1/2	9-1/2	17/32	13-3/16	31-5/8	12-5/8			
	30	3500	286JM	12-3/4	12-3/4	7	5-1/2	11	17/32	13-3/16	31-5/8	12-5/8			
	40	3500	324JM	14-1/2	14	8	6-1/4	10-1/2	21/32	13-11/16	33-1/2	13-5/8			
	50	3500	326JM	14-1/2	14	8	6-1/4	12	21/32	13-11/16	33-1/2	13-5/8			
	60	3500	364Z	16-1/2	14-1/2	9	7	11-1/4	21/32	14-9/16	35-1/2	14-5/8			
75	3500	365Z	16-1/2	14-1/2	9	7	12-1/4	21/32	14-9/16	35-1/2	14-5/8				

¹ Subtract 1/2 inch from CP and Y for the 4 x 2½ x 8½

M SERIES- SANITARY PUMPS



Ampco Pumps are manufactured, assembled and tested in Glendale, Wisconsin.

Ampco Pumps Company
2045 W. Mill Road
Glendale, WI 53209
Phone: 800-737-8671
sales@ampcopumps.com

Ampco Pumps Company

www.ampcopumps.com



Ampco Pumps GmbH
Am Gäxwald 6
76863 Herxheim Germany
Phone: +49 7276 5058515
info@ampcopumps.de